




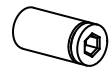




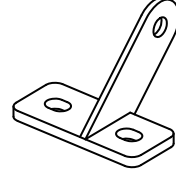
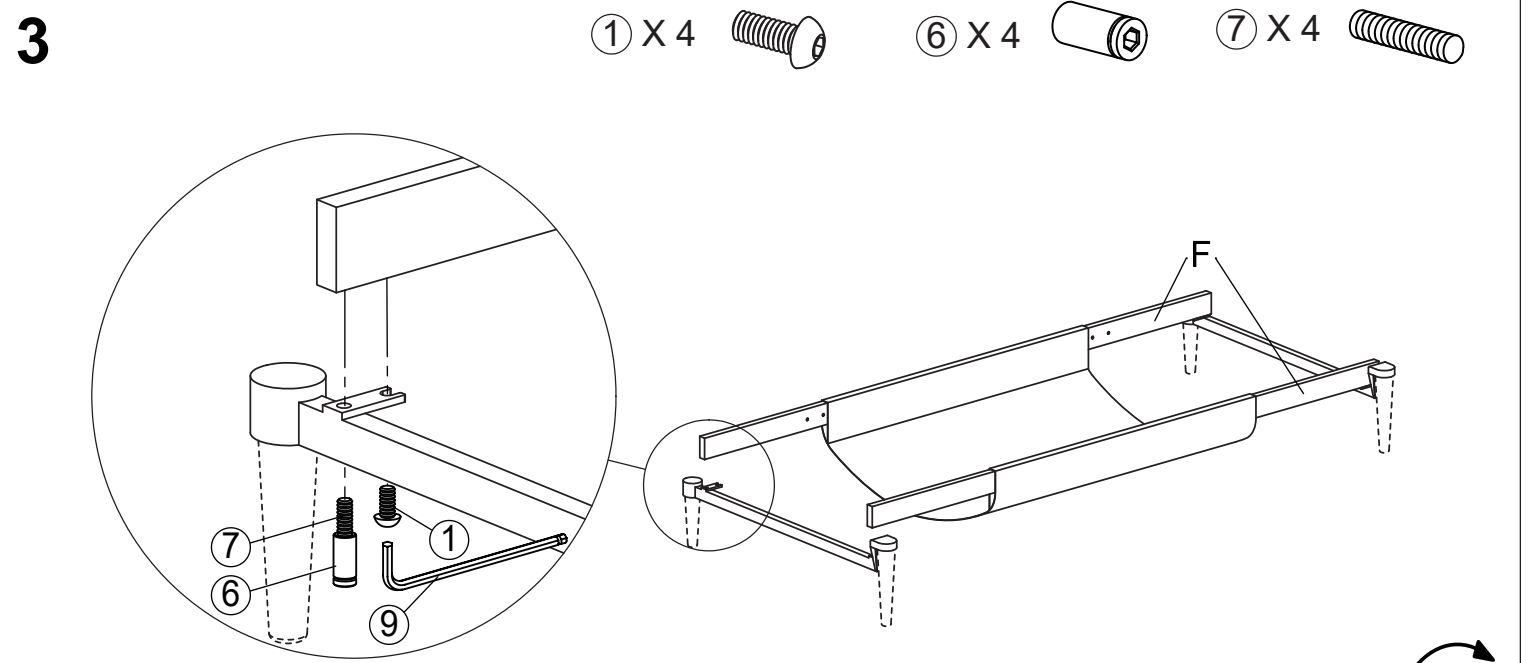
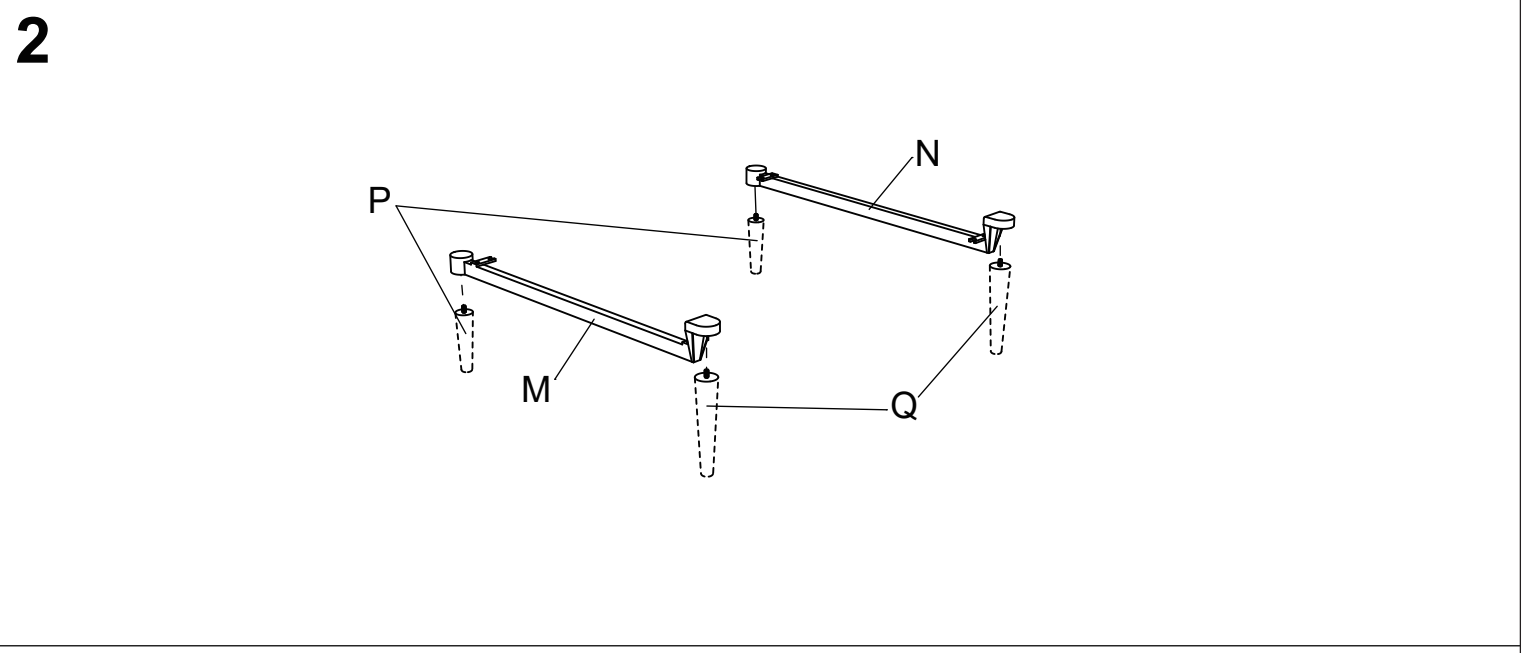
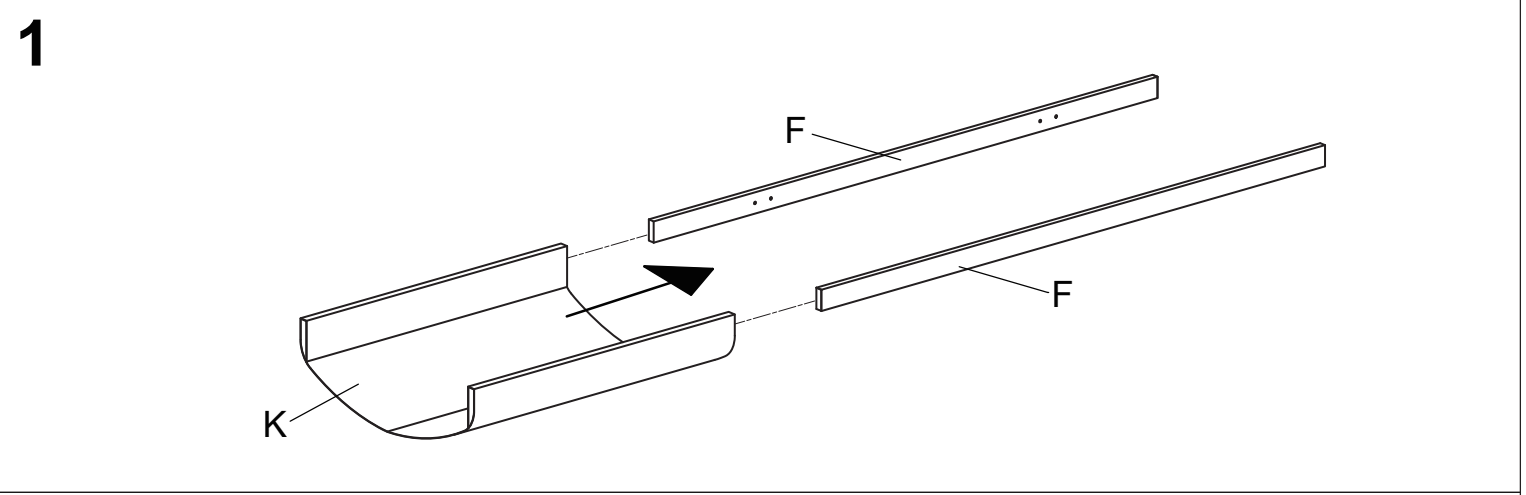
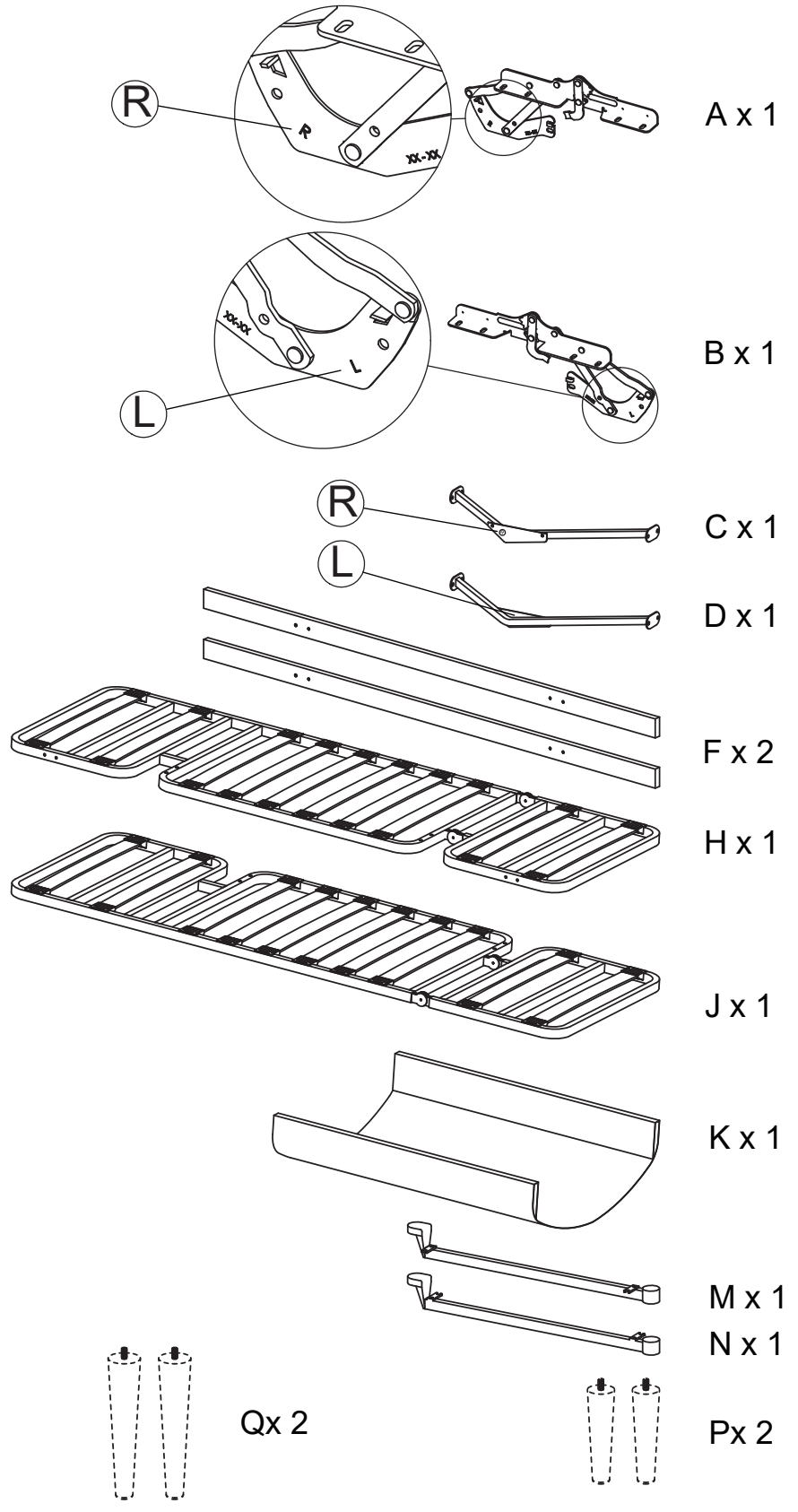

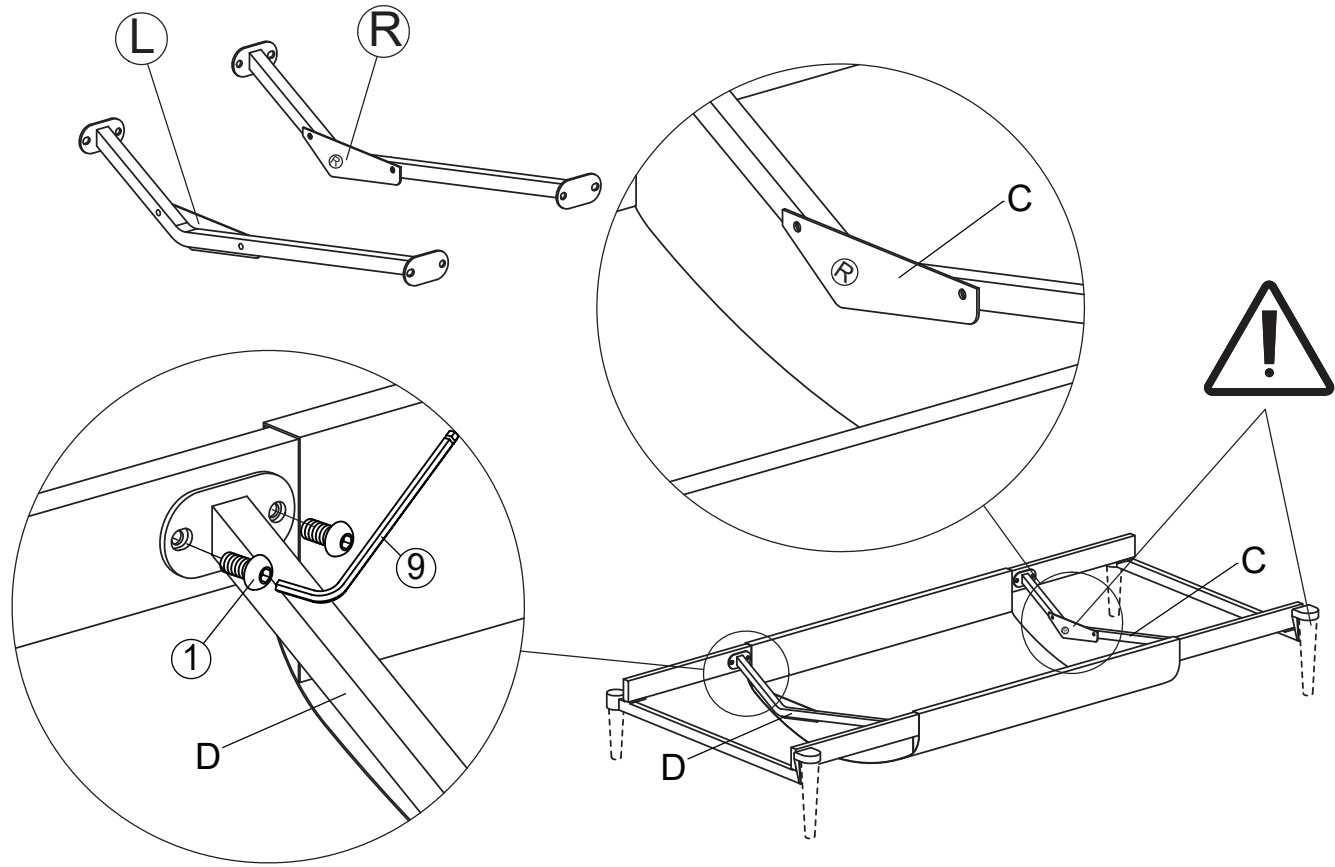


- ① X 24 
- ② X 2 
- ③ X 8 
- ④ X 8 
- ⑤ X 2 
- ⑥ X 4 
- ⑦ X 4 
- ⑧ X 1 
- ⑨ X 1 
- ⑩ X 2 
- ⑪ X 4 



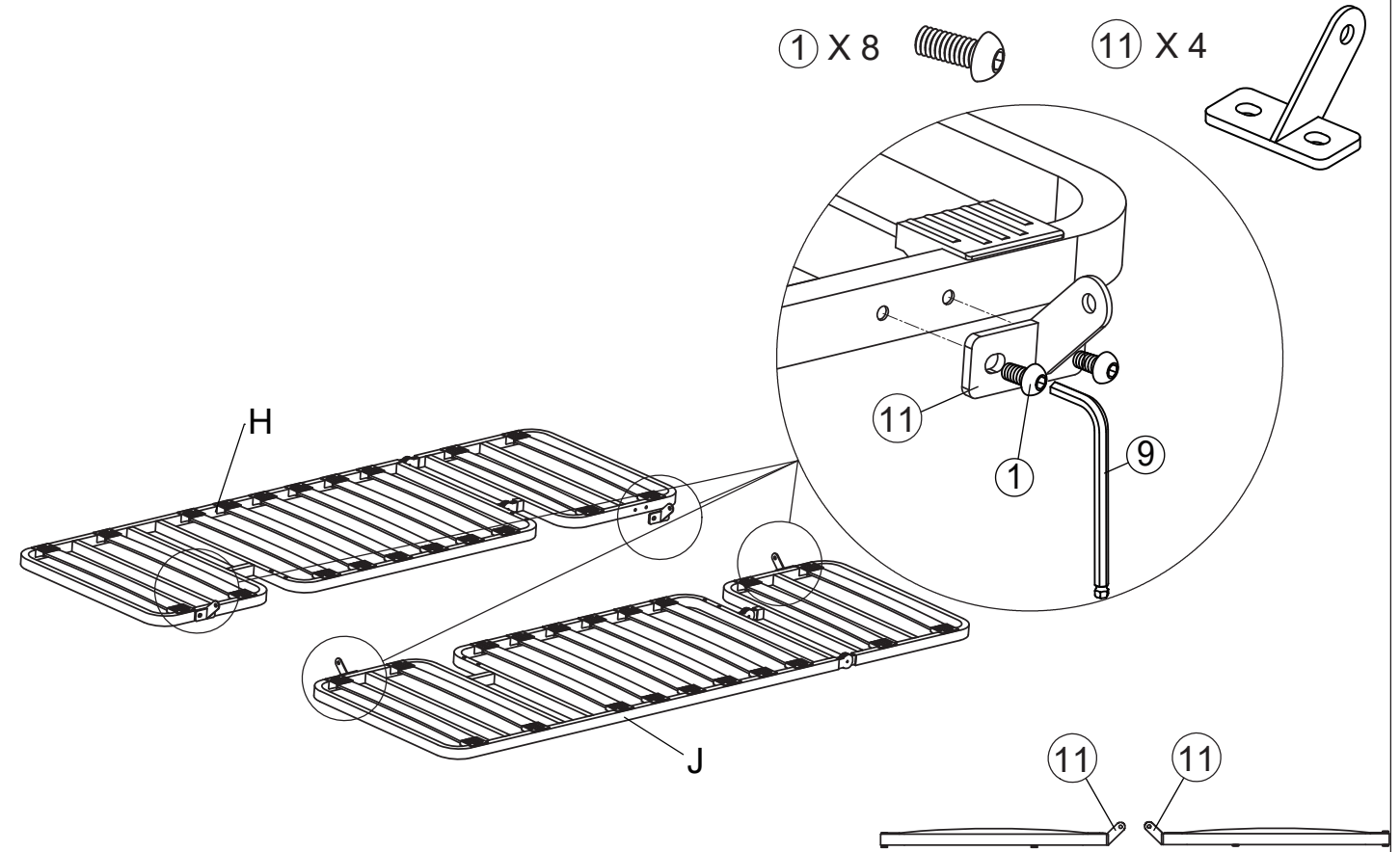
4

① X 8 




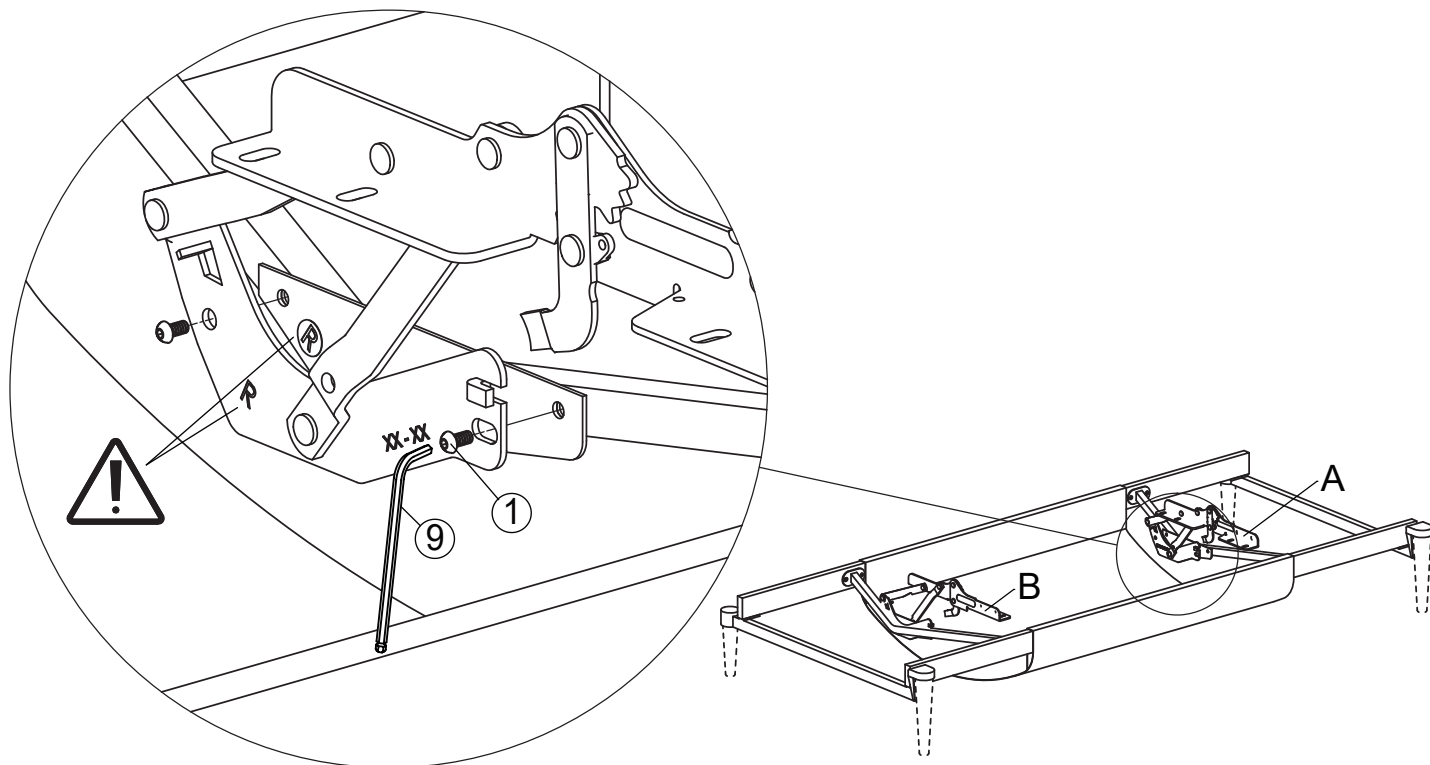
6

① X 8  ⑪ X 4 



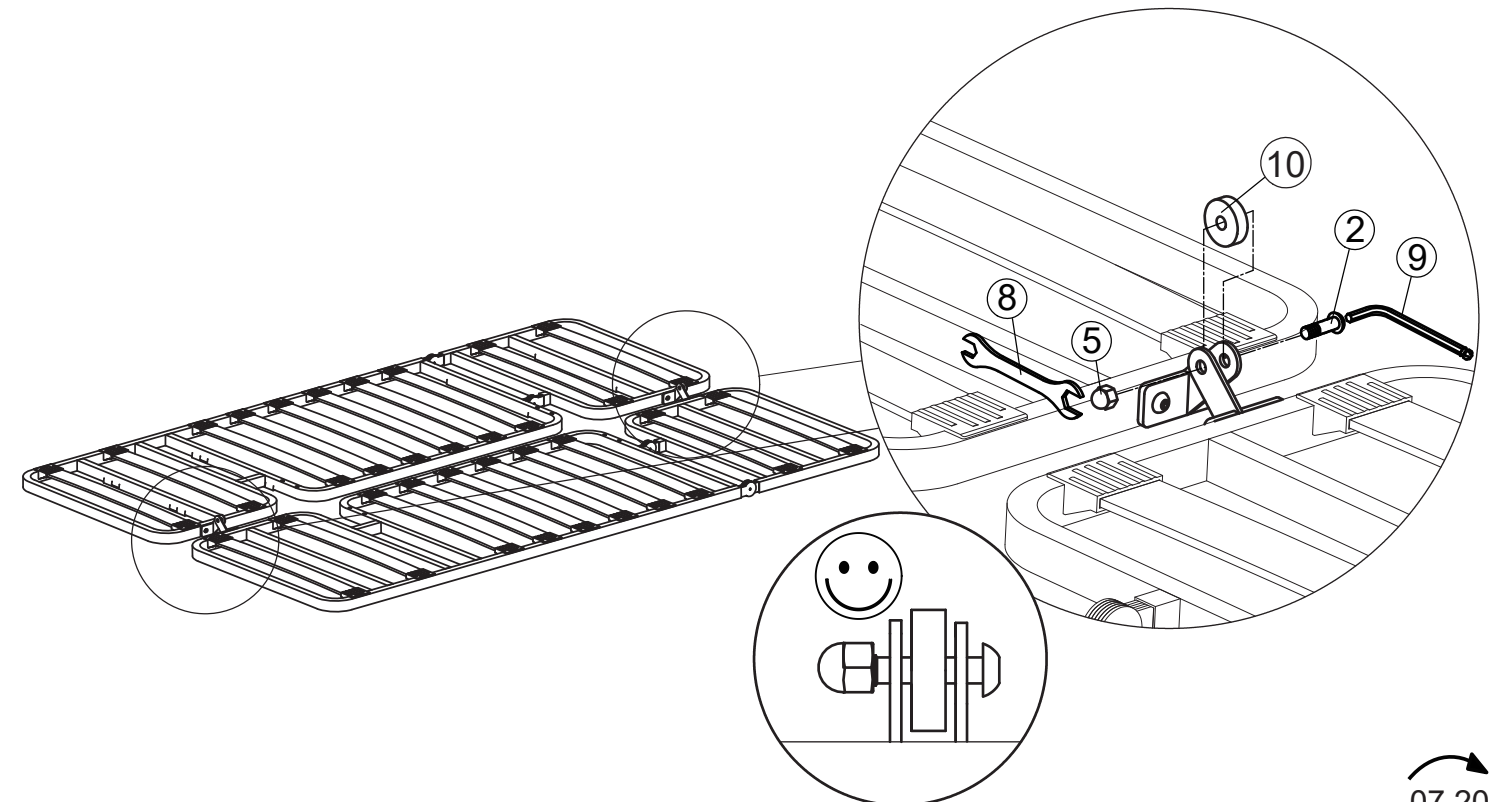
5

① X 4 



7

② X 2  ⑤ X 2  ⑩ X 2 



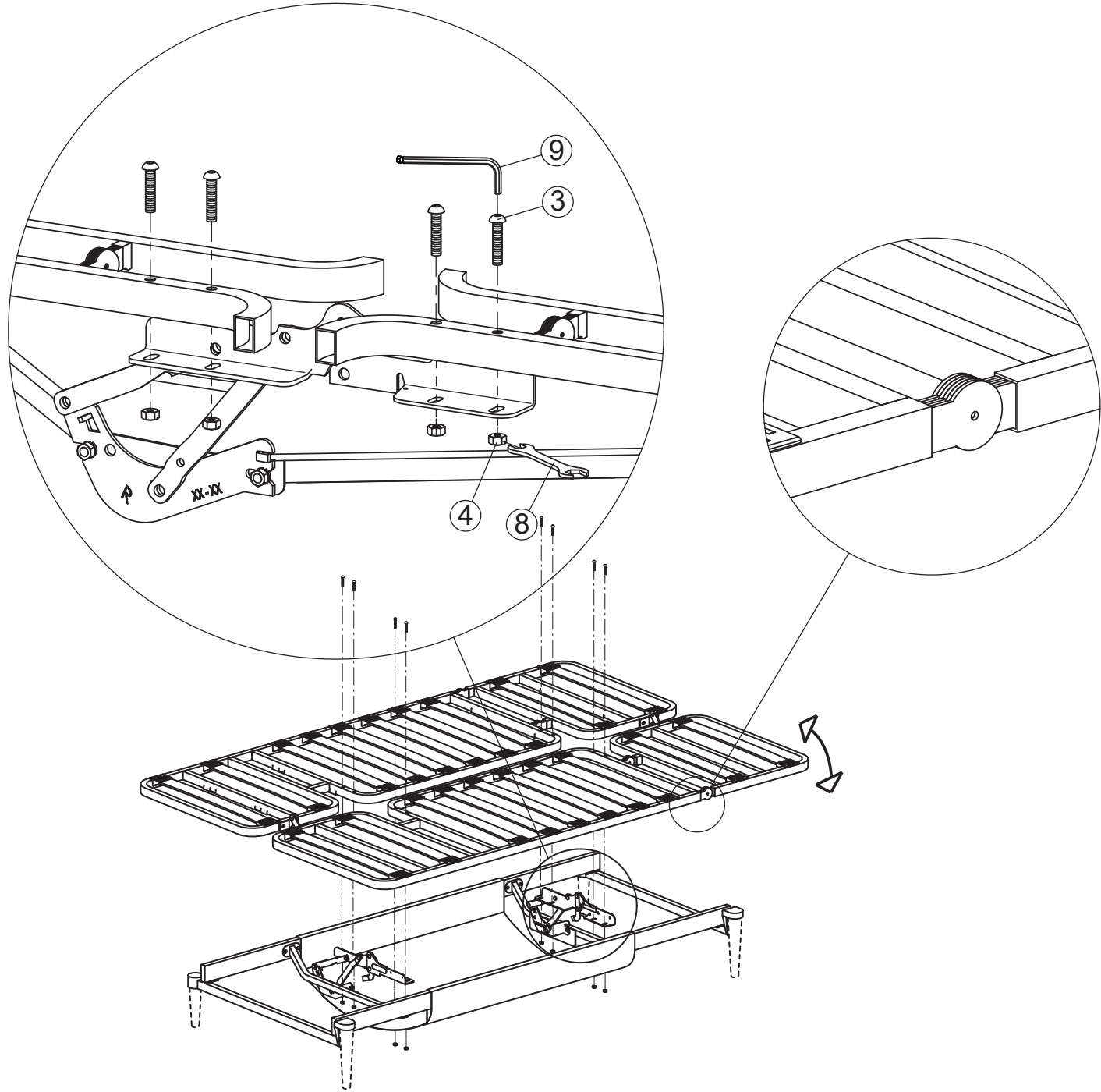
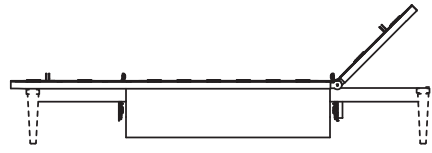
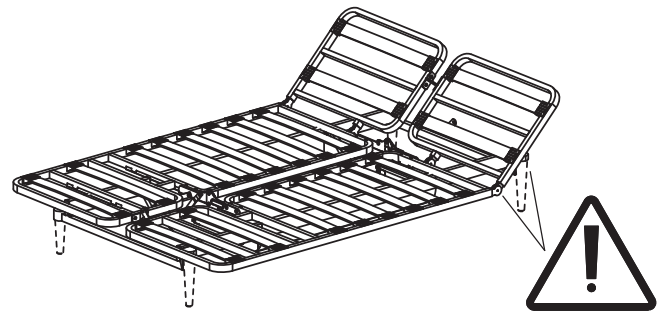
③ X 8



④ X 8



8-A



8-B

③ X 8



④ X 8

